



Friends!

We Used **Smartkeeda** and cracked Bank Exams

बैंक परीक्षाओं के लिए निश्चित रूप से

सर्वश्रेष्ठ मॉक टेस्ट सीरीज



**SOUMYADIP BISWAS**  
IBPS PO 2023



**DHAIRYA GAUR**  
RRB PO 2023



**TIYASA ROY**  
IBPS CLERK & PO 2023



**MD. SHABAN**  
IBSP PO & CLERK 2023



**BHAVANA PADALIYA**  
IBPS CLERK & PO 2023



**KAJOL WADHWANI**  
IBPS PO & CLERK 2023



**ESHU SINGH**  
SBI PO 2023



**SACHIN RAI**  
IBPS PO & CLERK 2023



**SUDHEER JANGID**  
RRB CLERK 2023



**VRINDA AGARWAL**  
SBI PO 2023



**SHREYA MAHENDRA MOON**  
IBPS PO 2023



**ANSH GULATI**  
IBPS PO & CLERK 2023  
SBI PO & RRB CLERK 2023

It's Your Turn Now  
**Take A Free Mock Test**

USE CODE

**FEST24** for 10% OFF

# Blood Relation Questions for Bank Exams (Canara Bank PO, IBPS Clerk Pre, IBPS PO Pre, IBPS RRB, IBPS Clerk, SBI Clerk Pre, SBI PO Pre, SBI Clerk & Syndicate Bank PO)

## Blood Relations Quiz 12

Directions (Set of 3 Questions): Kindly study the following information carefully and answer the question that follows:

In a family of six persons – Anu, Ayushi, Sohan, Ajay, Anupam and Anuj – there are three males and three females. There are two married couples and two persons are unmarried. Each one of them reads different newspapers, viz. Doctor, Engineer, Lawyer, Teacher, Writer and Architect.

Anupam, who works as Engineer, is mother-in-law of Anu, who is wife of Sohan. Ajay is the father of Anuj and he does not read Doctor or Architect. Ayushi works as Writer and is the sister of Anuj, who works as Lawyer. Sohan does not works as Architect.

**1. Who among the following works as doctor?**

A. Sohan    B. Ajay    C. Anu    D. Data inadequate    E. None of these

**2. How is Anuj related to Anupam?**

A. Daughter    B. Brother    C. Son    D. Data inadequate    E. None of these

**3. How many sons does Anupam have?**

A. Four    B. Three    C. Two    D. One    E. None of these

**4. Daksha has two sons Badal and Fezan. Badal is married to Utkal. Utkal is mother of Shruti. Lakshit is daughter of Daksha. Yadu is mother in law of Utkal. How is Shruti related to Daksha?**

- A. Son    B. Granddaughter    C. Grandson    D. Either grandson or granddaughter  
E. None of these

**5. Rohit has two sons namely Bittu and Kittu. Bittu is husband of Gillu. Lata is the mother in law of Gillu and Sittu. Sittu is mother of Mitthu. How is Mitthu related to Rohit?**

- A. Granddaughter    B. Grandson    C. Daughter in law    D. Can't be determined  
E. None of these

**Directions (Set of 3 Questions):** Kindly study the following information carefully and answer the question that follows:

The Hansraj family consists of eight members P, Q, R, S, T, U, V and W. Among these eight members, there are three generations in which there are four male and four female members. Among all, each offspring has both the parents alive.

The husband of R's sister has two daughters. The husband of T's daughter is married to V. V has only one sibling. U's father-in-law has two granddaughters. W's brother has only one nephew and W is not V's mother. R is unmarried and Q has only one niece.

**6. Which of the following is the grandmother of S?**

- A. W    B. T    C. V    D. U    E. None of these

**7. Who among the following is the Uncle of U's spouse?**

A. W   B. T   C. R   D. Q   E. None of these

**8. Which of the following is a combination of the couple discussed in the information part?**

A. Q and W   B. T and R   C. W and T   D. P and S   E. None of these

**9. There are seven family members in a family in which four are males and three are females and two married couple in that family.**

**S is the brother-in-law of T and paternal uncle of P.**

**R is the father of V and son of M.**

**V is sister of P and Q is grandfather of V.**

**Who is the mother of V?**

A. R   B. M   C. S   D. T   E. None of these

**10. There are seven family members in a family in which four are males and three are females and two married couple in that family.**

**S is the brother-in-law of T and paternal uncle of P.**

**R is the father of V and son of M.**

**V is sister of P and Q is grandfather of V.**

**How is Q related with T?**

A. Father   B. Grandfather   C. Father-in-law   D. Son   E. None of these

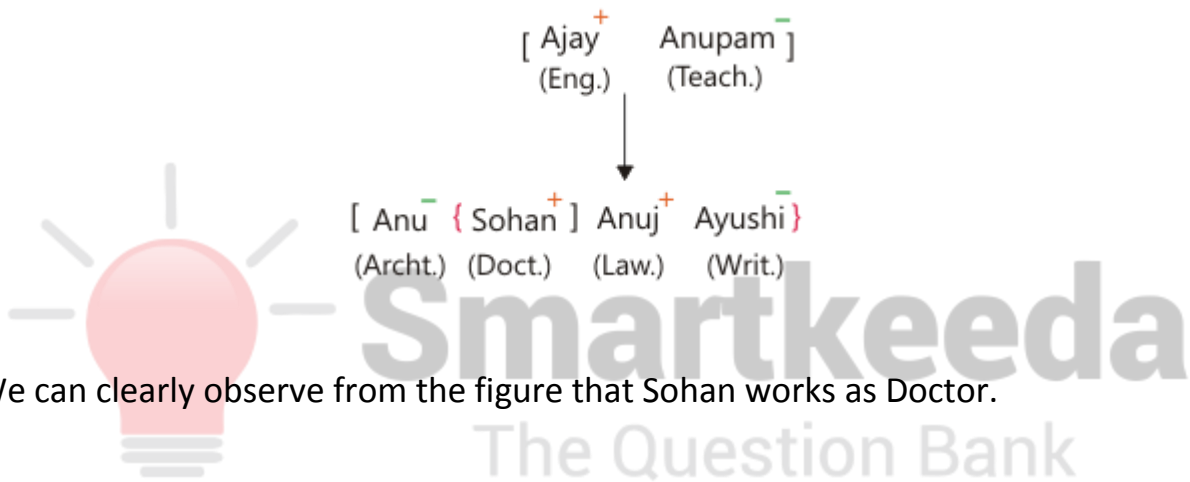


**Correct Answers:**

<b>1</b>	<b>2</b>	<b>3</b>	<b>4</b>	<b>5</b>	<b>6</b>	<b>7</b>	<b>8</b>	<b>9</b>	<b>10</b>
A	C	C	D	D	B	D	C	D	C

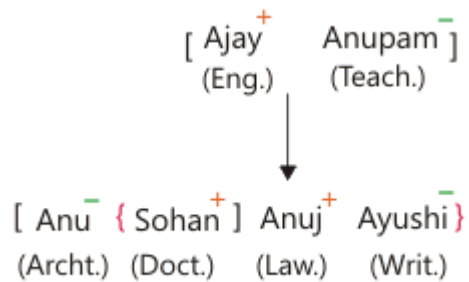
**Explanations:**

1.



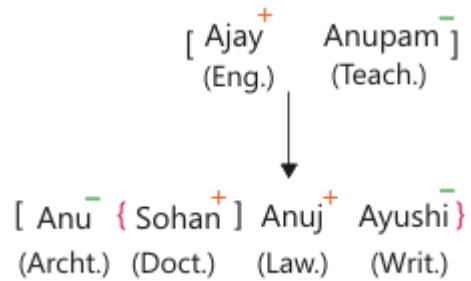
We can clearly observe from the figure that Sohan works as Doctor.

2.



We can clearly observe from the figure that Anuj is the son of Anupam.

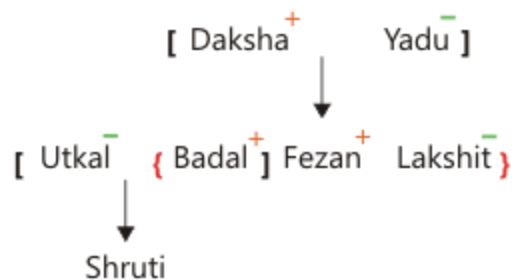
3.



We can clearly observe from the figure that Anupam has two sons.

4.

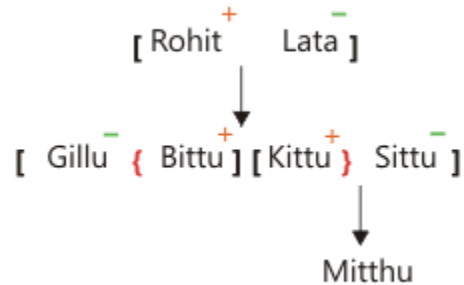
Here, we don't have gender information about Shruti. So, Shruti can be either granddaughter or grandson of Daksha.



Hence, the correct answer is option D.

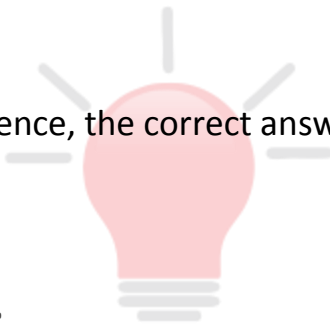
5.

Following the blood relation image, we cannot define Mitthu's relation with Rohit, as we don't have gender information about Mitthu. It can be either granddaughter or grandson of of Rohit.



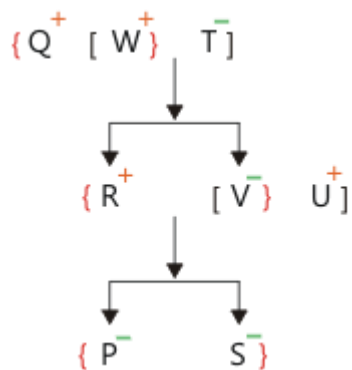
Hence, the correct answer is option D.

6.



Smartkeeda  
The Question Bank

Following the final figure, we can deduce that it's T who is the grandmother of T.



Option B is hence the correct answer.

Common Explanation:

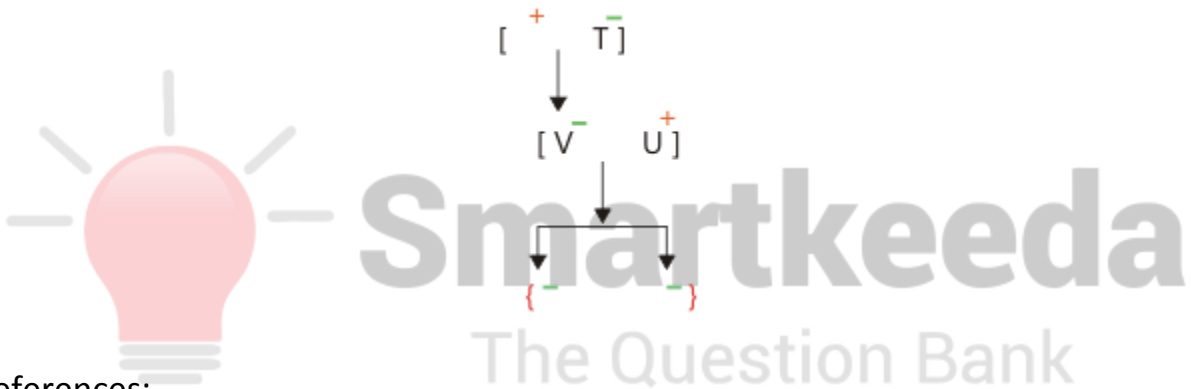
References:



The husband of T's daughter is married to V.

References:

U's father-in-law has two granddaughters.

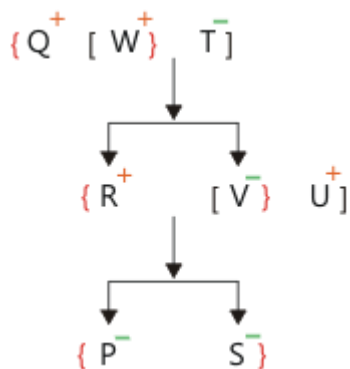


References:

The husband of R's sister has two daughters.

V has only one sibling.

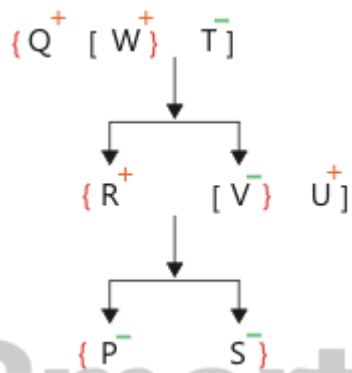
W's brother has only one nephew and W is not V's mother. R is unmarried and Q has only one niece.



And the chart gets done.

7.

Following the final blood relation tree, we can deduce that it's Q who is the Uncle of U's spouse who is V.

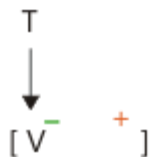


Option D is hence the correct answer.

Common Explanation:

References:

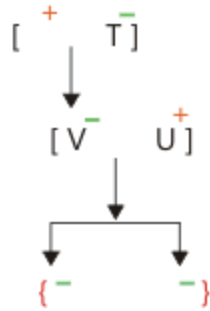
The husband of T's daughter is married to V.



References:

U's father-in-law has two granddaughters.





References:

The husband of R's sister has two daughters.

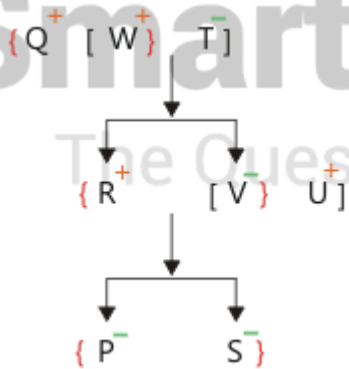
V has only one sibling.

W's brother has only one nephew and W is not V's mother. R is unmarried and Q has only one niece.



Smartkeeda

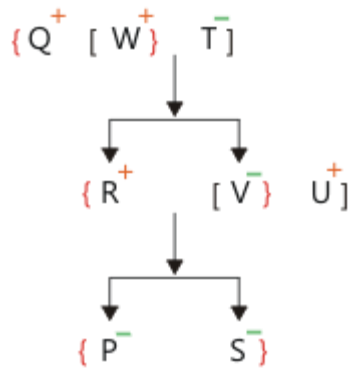
The Question Bank



.And the chart gets done.

8.

We can clearly observe from the figure that there are two couples - W and T and V and U in the family tree.

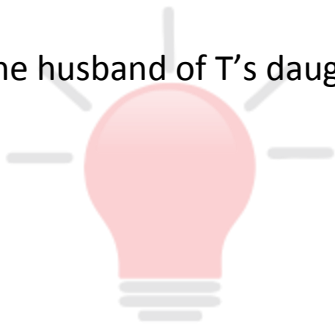


Option C is hence the correct answer.

Common Explanation:

References:

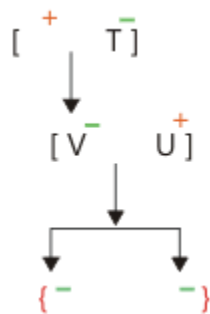
The husband of T's daughter is married to V.



Smartkeeda  
The Question Bank

References:

U's father-in-law has two granddaughters.

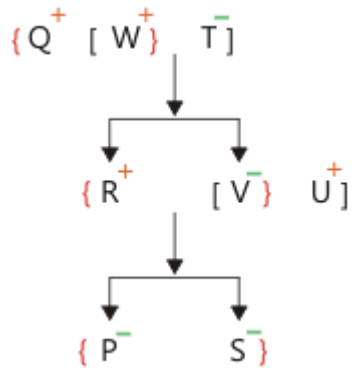


References:

The husband of R's sister has two daughters.

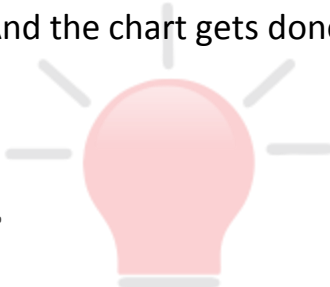
V has only one sibling.

W's brother has only one nephew and W is not V's mother. R is unmarried and Q has only one niece.



.And the chart gets done.

9.



Smartkeeda

The Question Bank

Following the final family chart, we can say that T is mother of V.



Hence, the correct answer is option D.

10.

Following the family chart we can say that Q is Father in law of T.



Hence, the correct answer is option C.



**Smartkeeda**

The Question Bank



**Smartkeeda**

The Question Bank

*Presents*

# Testzone

India's Leading Test Series Platform

All Banks Exams

2024-25

12 Months Plan

@Just

Rs. **764**

To get 10% Off use code **FEST24**

- ✓ Brilliant Test Analysis
- ✓ Excellent Content
- ✓ Unmatched Explanation

**Buy Now**

