



SmartKeeda

The Question Bank

Presents

TestZone

India's least priced Test Series platform

JOIN

12 Month Plan

2017-18 All Test Series

@ Just

₹ 399/-

300+ Full Length Tests

- Brilliant Test Analysis
- Excellent Content
- Unmatched Explanations

JOIN NOW

Puzzle Test Questions for IBPS PO PRE, SBI PO PRE, SBI CLERK MAINS & IBPS CLERK MAINS

Direction Sense Quiz 7

Direction : Read the given information carefully and answer the questions given beside: (A set of 2 questions)

Ananya goes to the departmental store, which is to the North of her house, 6 km away by an auto. After the shopping she decides to visit her friend Ayushi, Hence turns to the right and reaches her friend's house which is 8 km away. From there she visits a shop which is 6 km away, taking a right turn. Finally, she turns to the right and phones up to the house to send the car.

1. How far is Ananya from her house?

- A. 6 km B. 10 km C. 12 km D. 8 km E. None of these

2. In what direction should the driver take the car to pick up Ananya to bring her back?

- A. West B. East C. South D. North E. None of these

Direction : Read the given information carefully and answer the questions given beside: (A set of 2 questions)

Virendra's house is 30 m to the left of the Shani Dev Temple, which is 40 m to the north of the Church. One day, Virendra takes the road which is parallel to the temple-Church road and walks for 50 m before turning to his right. He further walks for 20 m and reaches the Gym.

3. What is difference between the straight distance between Virendra's house to Church and Shani Dev Temple to Gym?

- A. 20.7 m B. 50 m C. 37.7 m D. 70.7 m E. None of these

4. If Virendra reaches the church taking the temple-church road and then turns 45 degrees thrice in the clock-wise direction, which direction would he be facing?

- A. Towards the Gym B. Towards to the House C. Towards the Temple D. North-East direction
E. None of these

Direction : Read the given information carefully and answer the questions given beside: (Single question)

5. Anandi walks 24 m east from point A and reaches point B. From point B she takes left turn and walks 8 m and then she takes right turn and walked 12 m and again she takes right turn and walks 14 m and again takes right turn and reaches point M. If it is given that the starting point is in north from point where she ends her journey, then what is the distance between the points A and M?

- A. 3 m B. 4 m C. 5 m D. 6 m E. None of these

Direction : Read the given information carefully and answer the questions given beside: (A set of 2 questions)

Point A is 7 m towards the west of point B. Point B is 3 m towards the north of point C. Point D is 4 m towards west of point C.

6. A person walks 3 m towards the north from point D and reaches point E. How far and towards which direction will he have to walk to reach point A?

- A. 3 m towards west B. 7 m towards east C. 4 m towards south D. 10 m towards west
E. 4 m towards east

7. If a person walks 3 m towards south from point A and reaches point F, which of the following two points would fall in straight line including F?

- A. A, C B. B, D C. B, C D. C, D E. None of these

Direction : Read the given information carefully and answer the questions given beside: (A set of 2 questions)

Siddharth starts running from point X and runs 10 meters towards south. He then takes a right turn and runs for 25 meters. He takes a left turn and stops at Point U after running 10 meters. Point A is 10 meter to the east of Point U. Point C is 20 meters to the north of the Point A. Point P is 3 meters to the west of C.

8. If Ravi who is Siddharth's childhood friend is standing at Point Y which is 7 meters to the north of Point P then, in which direction will he have to run in order to reach Siddharth who is standing at Point U.

- A. Northeast B. West C. Southwest D. South E. None of these

9. How far and in which direction is Point P with respect to Point X?

- A. 18 meters towards west B. 20 meters towards east C. 18 meters towards east
D. 25 meters towards west E. None of these

Direction : Read the given information carefully and answer the questions given beside:
(Single question)

10. Abhay walks 20 m south from Point A to reach Point B. Then he turns to his right and walks 14 m to reach Point C. Again, he turns to his right and walks 20 m to reach Point D. Finally he turns to his left and walks 14 m to reach Point E. What is the distance between A and E and in which direction is Point E from Point A.

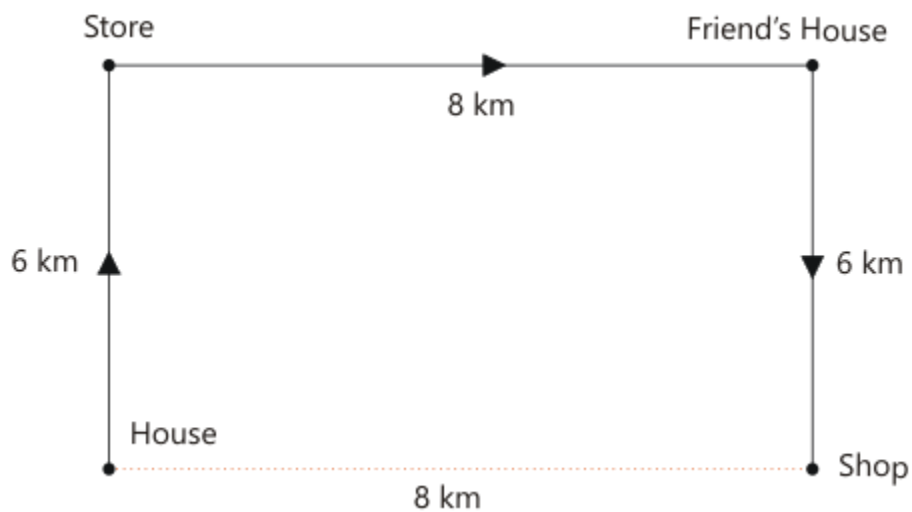
- A. 20 m, South B. 26 m, North C. 28 m, West D. 34 m, East E. None of these

Correct Answers:

1	2	3	4	5	6	7	8	9	10
D	B	A	B	D	A	D	C	A	C

Explanations:

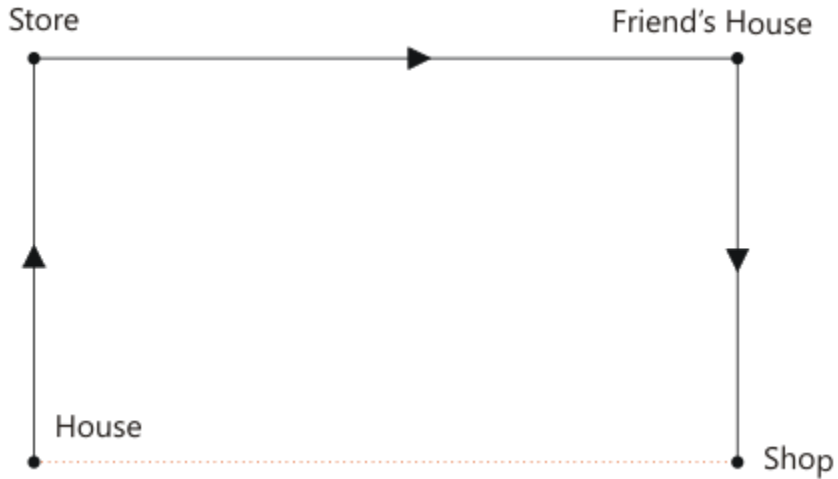
1.



We can clearly observe that Ananya is 8 km to the east from her house.

Hence, option D is correct.

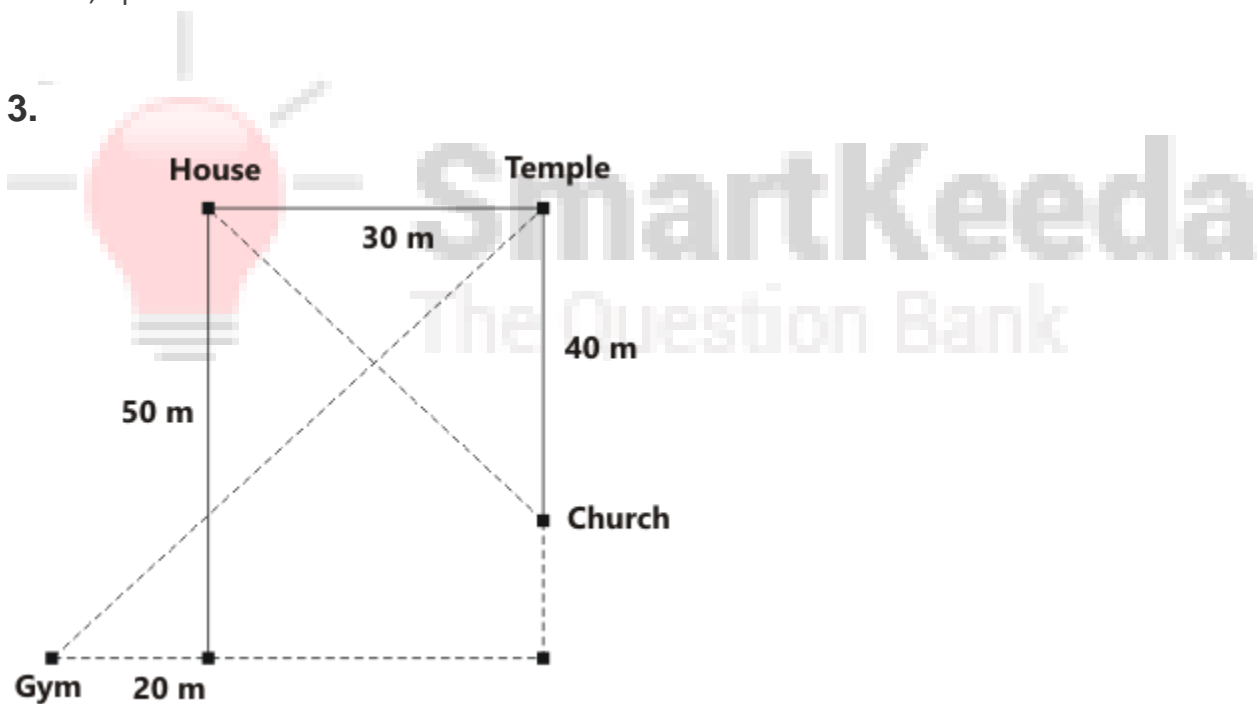
2.



We can clearly observe that driver should take the car to the east to bring her back.

Hence, option B is correct.

3.



Applying the Pythagoras theorem, we get

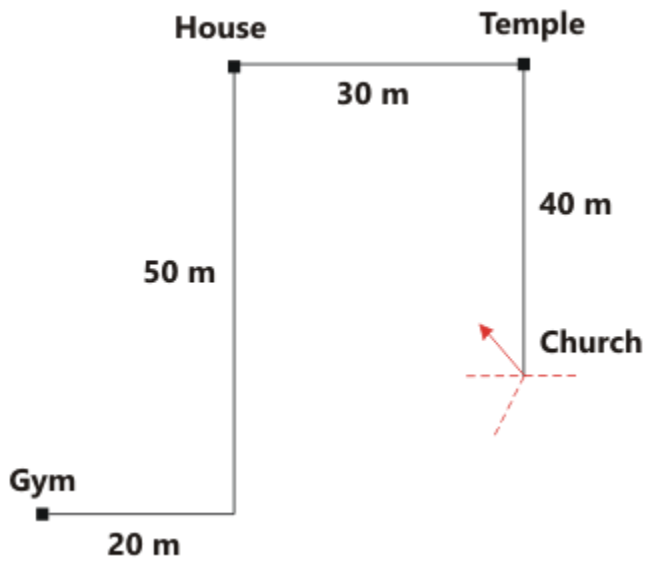
$$\begin{aligned} \text{Distance between the house and the church} &= \sqrt{30^2 + 40^2} \\ &= \sqrt{900 + 1600} = \sqrt{2500} = 50 \text{ m} \end{aligned}$$

$$\begin{aligned} \text{Now, the distance between the temple and the gym} &= 50^2 + 50^2 \\ &= 50\sqrt{2} \text{ m} \end{aligned}$$

$$\text{Therefore, the required difference} = 50(\sqrt{2} - 1) = 50 \times 0.414 = 20.7 \text{ m}$$

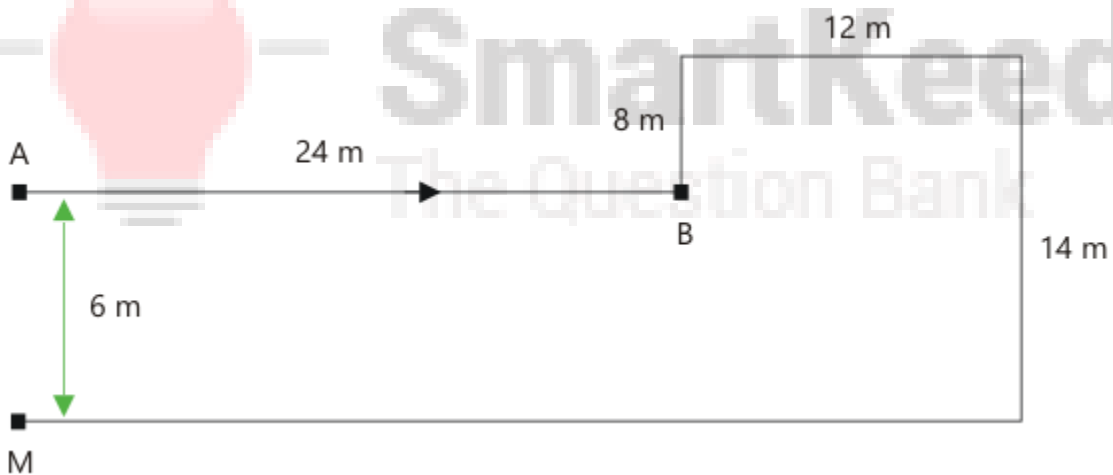
Clearly, option A is the correct answer.

4.



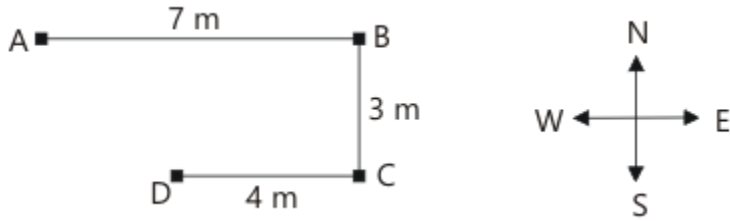
From the final figure we can deduce the fact that Virendra must be facing his house.
Option B is hence the correct answer.

5. From the final figure, it's clear that the distance between the points A and M is 6 m.

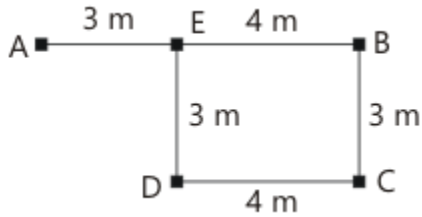


Option D is hence the correct answer.

6. As per the common information, we get

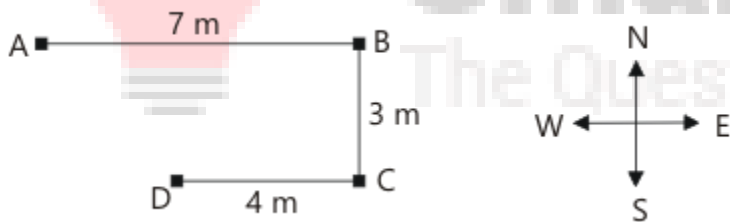


As per the additional information, we get

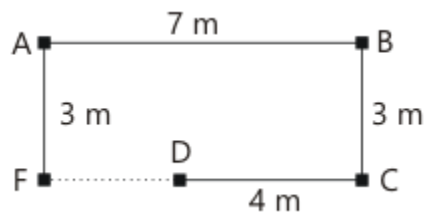


Hence, option A is correct.

7. As per the common information, we get

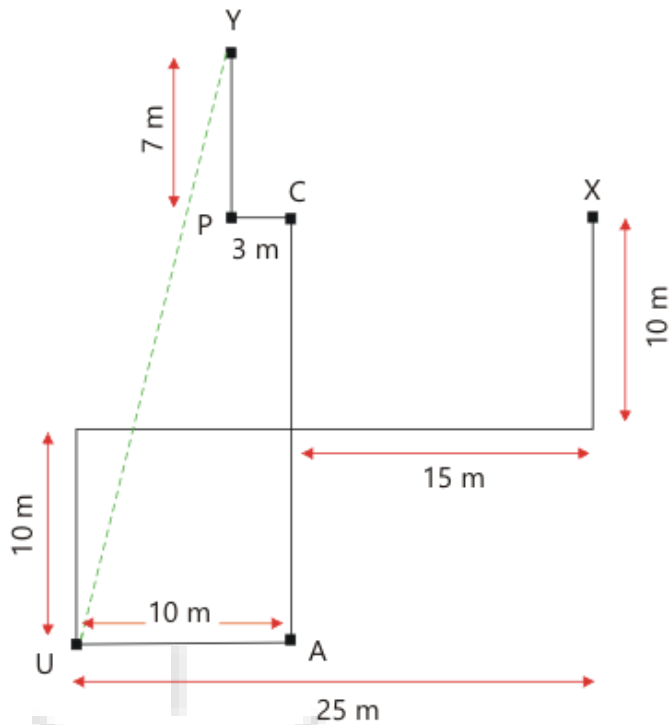


As per the additional information, we get



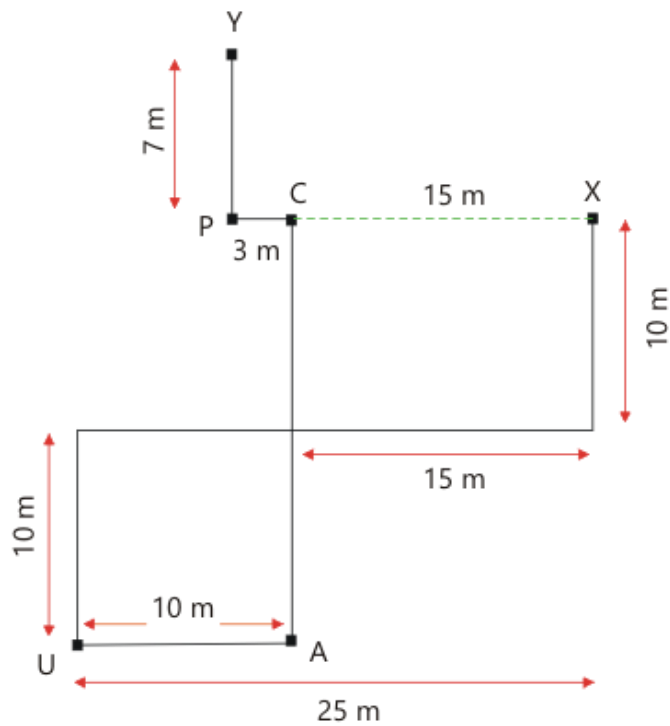
Hence, option D is correct.

8. Following the image, it is clear that Point U is in the southwest direction with respect to Y. So, Ravi will have to run in the southwest direction to reach at Point U to meet Siddharth.



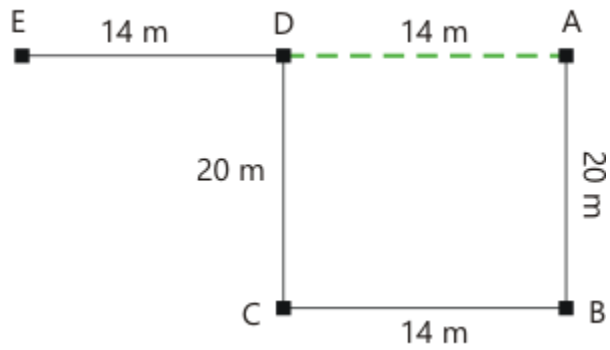
Hence, the correct answer is option C.

9. Following the image, it is clear that the distance between Point P and Point X is 18 m and Point P is in west direction with respect to Point X.



$PX = PC + CX = 3 + 15 = 18 \text{ m}$
Hence, the answer is option A.

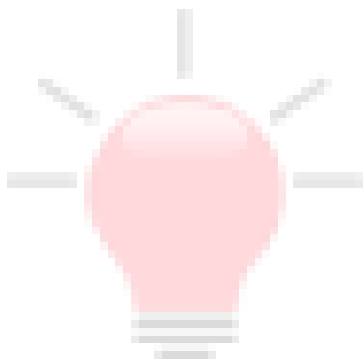
10.



The distance between Point A and Point E = $14 + 14 = 28$ m

Following the image we can say that Point E is in west direction with respect to A.

Hence, the correct answer is option C.



SmartKeeda
The Question Bank



SmartKeeda

The Question Bank

प्रस्तुत करते हैं

TestZone

भारत की सबसे क़िफ़ायती टेस्ट सीरीज़

अभी
जुड़ें

12 Month Plan

2017-18 All Test Series

@ Just

₹ 399/-

300+ फुल लेन्थ टेस्ट

- श्रेष्ठ विश्लेषण
- उत्कृष्ट विषय सामग्री
- बेजोड़ व्याख्या

अभी जुड़ें