



Friends!

We Used **Smartkeeda** and cracked Bank Exams

बैंक परीक्षाओं के लिए निश्चित रूप से

सर्वश्रेष्ठ मॉक टेस्ट सीरीज



**Soumyadip Biswas**  
IBPS PO 2023



**Dhairya Gaur**  
RRB PO 2023



**Tiyasa Roy**  
IBPS CLERK & PO 2023



**MD. Shaban**  
IBSP PO & CLERK 2023



**Bhavana Padaliya**  
IBPS CLERK & PO 2023



**Kajol Wadhvani**  
IBPS PO & CLERK 2023



**Eshu Singh**  
SBI PO 2023



**Sachin Rai**  
IBPS PO & CLERK 2023



**Sudheer Jangid**  
RRB CLERK 2023



**Vrinda Agarwal**  
SBI PO 2023



**Shreya Mahendra Moon**  
IBPS PO 2023



**Ansh Gulati**  
IBPS PO & CLERK 2023  
SBI PO & RRB CLERK 2023

It's Your Turn Now  
**Take A Free Mock Test**

USE CODE

**FEST24** for 10% OFF

## Direction Sense Questions for IBPS PO Pre, RRB Scale I Pre, SBI PO Pre, Canara Bank PO, RBI Grade B, Syndicate Bank PO, IBPS SO Pre, IBPS Clerk Mains and SBI Clerk Mains Exams.

### Direction Sense Quiz 19

**Direction :** Read the given information carefully and answer the questions given beside: (A set of 4 questions)

Shalu started from point A and traveled towards north for 16 km to reach point D.

After reaching point D she turned towards her right and travelled for 12 km to reach point K.

From point K, she travelled 10 km towards south direction and reached point E.

If Shalu had travelled towards north for 6 km from point K she would have reached point J.

Point Q is to the North of point J and 20 km away from D which is the shortest distance from point D.

From point E, she travelled 6 km towards west then she took a left turn and travelled certain distance to reach point S.

**1. What is the distance between point Q and E?**

- A. 28 m      B. 26 m      C. 22 m      D. 18 m      E. Can't be determined

**2. What is the direction of point D with respect to point Q?**

- A. South      B. North      C. Northeast      D. Southwest      E. Can't be determined

**3. If the shortest distance between points E and S is 10 m then what is the direction of point A with respect to point S?**

- A. Southeast      B. Northwest      C. Southwest      D. Northeast      E. Can't be determined

**4. Four of the following five are alike in some way and hence form a group such that second point is to the north of first point. Which of the following is the one that does not belong to the group?**

- A. AD      B. KQ      C. EJ      D. EQ      E. AE

**Direction :** Read the given information carefully and answer the questions given beside: (A set of 4 questions)

Eight points – A, B, C, D, E, F, G and H, are marked on different positions in a plane such that the ratio of the distances between points G and B, and points B and E is 2 : 3. C is 10 m to the north of F, which is 5 m to the west of A. D, is 10 m to the south of B and 15 m to the east of F. The ratio of distances between points A and D and points G and B is 1 : 1. B is to the west of E. Point H is to the north of A and to the west of G.

**5. What is the direction of point H with respect to point C?**

- A. Northeast      B. East      C. Southeast      D. West      E. Northwest

**6. Four of the following five are alike such that the distance between two points is same and hence form a group. Which of the following is the one that does not belong to the group?**

- A. GH      B. FC      C. GB      D. AF      E. AD

**7. What is the shortest distance between points G and F?**

- A. 5 m      B. 10 m      C. 20 m      D. 25 m      E. Can't be determined

**8. What is the position of point G with respect to point B?**

- A. West      B. East      C. North      D. Northwest      E. Northeast

**9. Anuj started walking from his home at 7.00 AM and his shadow was on his right. After walking for 32 m he took a left turn and walks for 12 m. Thereafter he again took a left turn and walks 27 m and stopped. Find the shortest distance of the initial and final position of Anuj and in which direction is he with respect to his starting point?**

- A. 25 m, South      B. 13 m, Northwest      C. 25 m, Northeast      D. 13 m, Southeast      E. 17 m, West

**10. Rudra started walking from his home in east direction and after walking for 80 m he took a turn of  $135^\circ$  towards his left and walked 22 m after that took a turn of  $90^\circ$  towards his right and walked 30 m and stopped. In which direction Ram is facing now?**

- A. Northwest      B. North      C. Southwest      D. East      E. Northeast

**Correct Answers:**

<b>1</b>	<b>2</b>	<b>3</b>	<b>4</b>	<b>5</b>	<b>6</b>	<b>7</b>	<b>8</b>	<b>9</b>	<b>10</b>
B	D	B	E	A	D	D	C	D	E

Join us on Telegram for more PDFs  
Click here



## Common Explanation: (Q. 1 to 4)

### Reference:

Shalu started from point A and traveled towards north for 16 km to reach point D.

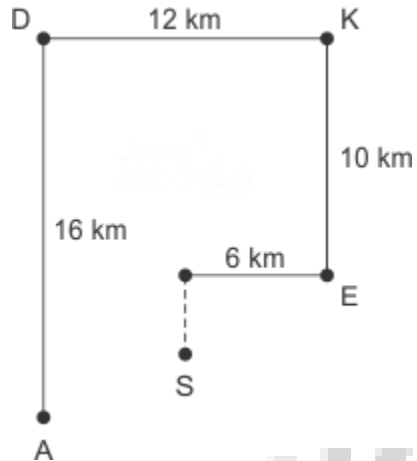
After reaching point D she turned towards her right and travelled for 12 km to reach point K.

From point K, she travelled 10 km towards south direction and reached point E.

From point E, she travelled 6 km towards west then she took a left turn and travelled certain distance to reach point S.

### Inference:

Using the above hints the given points can be marked as:

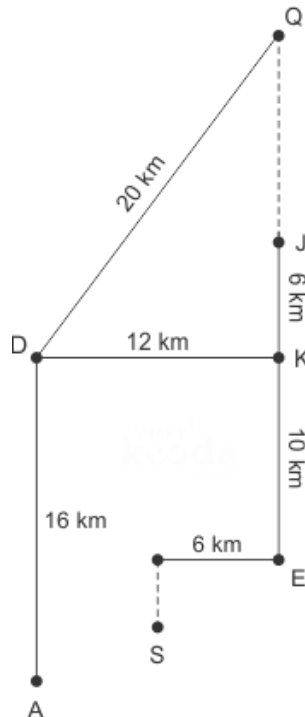


### Reference:

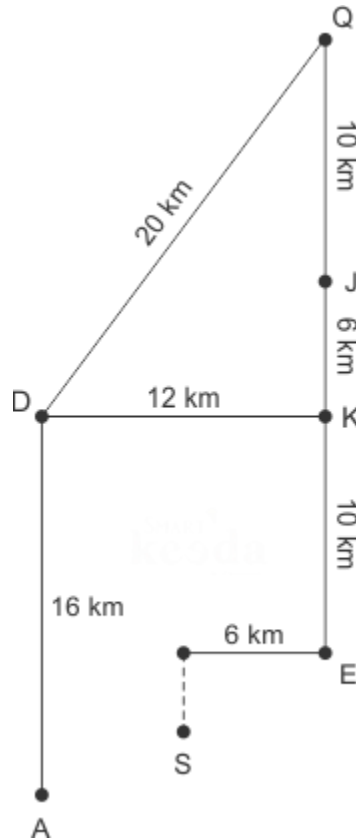
Point Q is to the North of point J and 20 km away from D which is the shortest distance from point D. If Shalu had travelled towards north for 6 km from point K she would have reached point J.

### Inference:

Here, the above figure can be redrawn as:



Here we can easily find out the distance between points Q and J (using Pythagoras theorem) which is 10 km.

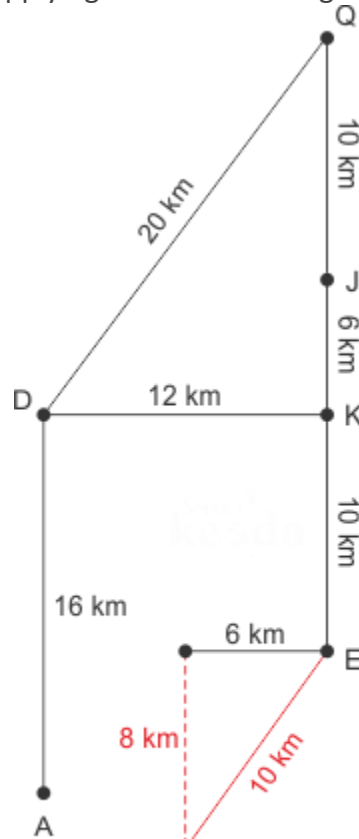


1. Following the final solution, we can say that the distance between point Q and E is 26 m.  
Hence, the correct answer is option **B**.
2. Following the final solution, we can say that point D is in southeast direction with respect to point Q.  
Hence, the correct answer is option **D**.

Join us on Telegram for more PDFs  
Click here



3. Following the final solution, and applying the information given in the question, we have:



Here, we can say that point A is in northwest direction with respect to point S.

Hence, the correct answer is option **B**.

4. Following the final solution, we can say that AE is the one that does not belong to the group because of all the points given in the options only points A and E are the only points which does not follow the given conditions.

Hence, the correct answer is option **E**.

Join us on Telegram for more PDFs  
Click here



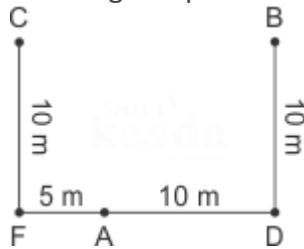
## Common Explanation: (Q. 5 to 8)

### Reference:

C is 10 m to the north of F, which is 5 m to the west of A.  
D, is 10 m to the south of B and 15 m to the east of F.

### Inference:

After using the above hints position of some of the given points can be marked as:



### Reference:

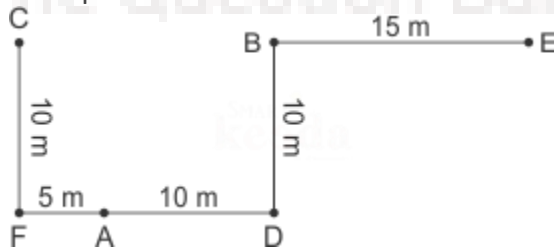
The ratio of distances between points A and D and points G and B is 1 : 1.  
The ratio of the distances between points G and B, and points B and E is 2 : 3.  
B is to the west of E.

### Inference:

As we have already figured out that the distance between points A and D is 10 m so we can say that **the distance between points G and B is 10 m.**

After that we can say that **the distance between points B and E is 15 m.**

Here, the point E can be marked on the plane as:

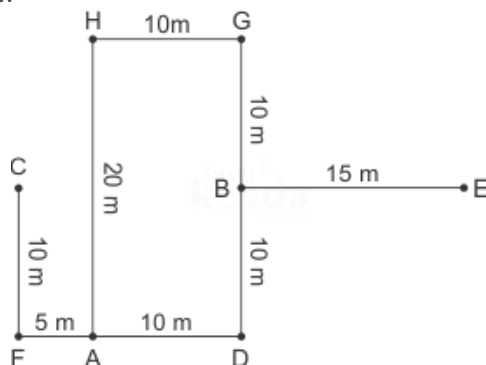


### Reference:

Point H is to the north of A and to the west of G.

### Inference:

After using the above hints, we have:



5. Following the final solution, we can say that point H is in northeast direction with respect to point C.

Hence, the correct answer is option **A**.

6. Following the final solution, we can say that AF is the one that does not belong to the group because except AF the distance between all the points is 10 m.

Hence, the correct answer is option **D**.

7. Following the final solution, we can say that the shortest distance between points G and F is 25 m.

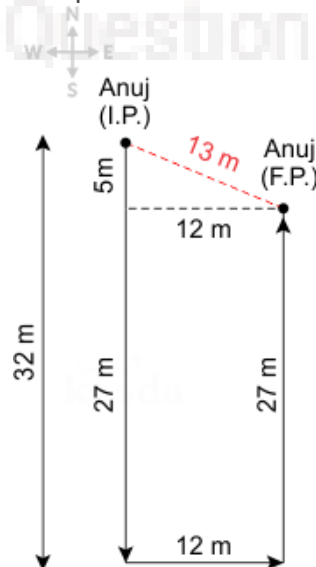
Hence, the correct answer is option **D**.

8. Following the final solution, we can say that point G is in north direction with respect to point B.

Hence, the correct answer is option **C**.

9. As we know that in the morning Sun rises in the east so the shadow of the Anuj must be on the west side and it is given that shadow of the Anuj when he started walking was on **his right**, so we can say that **Anuj started walking in the south direction**.

After using the information given in the question we can draw the following diagram:



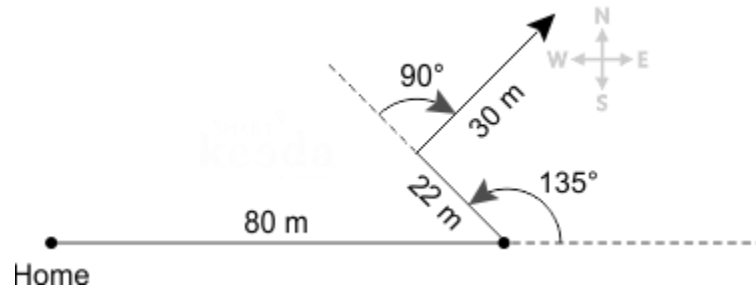
Here we can say that the shortest distance of the initial and final position of Anuj is 13 m. (using Pythagoras theorem)

And, Anuj is in southeast direction with respect to his starting point.

Hence, the correct answer is option **D**.



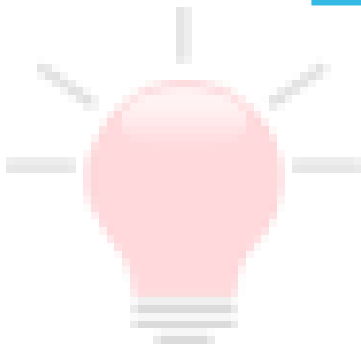
10. After using the information given in the question we can draw a following diagram:



Here we can say that ram is facing in Northeast direction.

Hence, the correct answer is option E.

Join us on Telegram for more PDFs  
Click here



SmartKeeda  
The Question Bank



**Smartkeeda**

The Question Bank

*Presents*

# Testzone

India's Leading Test Series Platform

All Banks Exams  
2024-25

12 Months Plan

@Just

Rs. **764**

To get 10% Off use code **FEST24**

- ✓ Brilliant Test Analysis
- ✓ Excellent Content
- ✓ Unmatched Explanation

**Buy Now**

