



Friends!

We Used **Smartkeeda** and cracked Bank Exams

बैंक परीक्षाओं के लिए निश्चित रूप से

सर्वश्रेष्ठ मॉक टेस्ट सीरीज



**SOUMYADIP BISWAS**  
IBPS PO 2023



**DHAIRYA GAUR**  
RRB PO 2023



**TIYASA ROY**  
IBPS CLERK & PO 2023



**MD. SHABAN**  
IBSP PO & CLERK 2023



**BHAVANA PADALIYA**  
IBPS CLERK & PO 2023



**KAJOL WADHWANI**  
IBPS PO & CLERK 2023



**ESHU SINGH**  
SBI PO 2023



**SACHIN RAI**  
IBPS PO & CLERK 2023



**SUDHEER JANGID**  
RRB CLERK 2023



**VRINDA AGARWAL**  
SBI PO 2023



**SHREYA MAHENDRA MOON**  
IBPS PO 2023



**ANSH GULATI**  
IBPS PO & CLERK 2023  
SBI PO & RRB CLERK 2023

It's Your Turn Now  
**Take A Free Mock Test**

USE CODE

**FEST24** for 10% OFF

# Direction Sense Questions for SBI Clerk Mains, IBPS Clerk Mains, RBI Assistant Mains, LIC AAO, SBI PO Pre, IBPS PO Pre and RRB Scale I Pre Exams.

## Direction Sense Quiz 23

**Directions:** Read the given information carefully and answer the questions given beside (A set of 3 questions)

Point G is 30m to the east of point B, which is 20m to the north of point A. Point F is 16m to the west of point E. Point H is 12m to the south of point F. Point E is 10m to the south of point G. Point C is 13m to the east of point F.

**1. If point X is exactly between B and A then F is how far and in which direction from point X?**

- A. 15m, West      B. 14m, East      C. 12m, West      D. 13m, East      E. None of these

**2. If point Y is 6m south of point G then find the shortest distance between point C and point Y ?**

- A. 6 m      B. 7 m      C. 5 m      D. 4 m      E. Either 5m or 7m

**3. If point X is exactly in the middle of points B and A then find the distance between point C and point X?**

- A. 30 m      B. 27 m      C. 25 m      D. 22 m      E. None of these

**Directions:** Read the given information carefully and answer the questions given beside (A set of 3 questions)

Point A is 10m to the south of Point B, which is 8m to the west of Point C. Point D is 14m to the north of Point C. Point E is 4m to the east of Point F, which is 5m to the south of Point D. Point E is 8m to the west of Point G. Point H is 19m to the south of Point G. Point H is 12m to the east of Point I.

**4. Find the shortest distance between Points D and G?**

- A. 10 m      B. 13 m      C. 12 m      D. 20 m      E. None of these

**5. Find H is how much far and in which direction from A?**

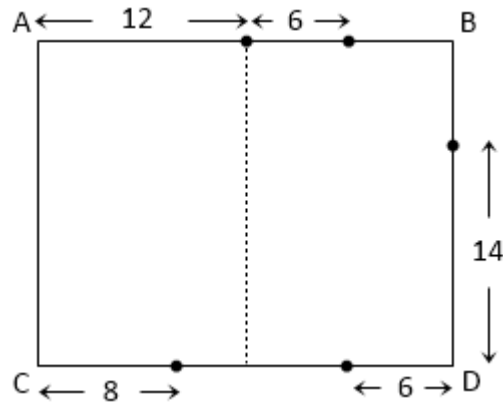
- A. 12m, North-east      B. 15m, North-east      C. 15m, east      D. 20m, east      E. Can't be determined

**6. Point B is in which direction from Point E?**

- A. North-east      B. South-east      C. South-west      D. South      E. None of these

**Directions: Read the given information carefully and answer the questions given beside (A set of 3 questions)**

Below image shows a square garden where each dot represents one of the persons among Annie, Bony, Charlie and Emy. Charlie is in the south-east of Danny. Bony is in the east of Annie. Emy and Danny stand in a straight line.



Note- The given numbers are in meters. The four corners of the park are marked as A, B, C, D.

**7. If Bony is in the south of Danny, then who among the following is towards the north-west of Bony?**

- A. Emy      B. Annie      C. Charlie      D. Either option A or B      E. Can't be determined

**8. Find the distance between Charlie and B?**

- A. 14 m      B. 12 m      C. 10 m      D. Either 13m or 15m      E. Data Inadequate

**9. Annie is how much far and in which direction from Bony?**

- A. 8m, West      B. 10m, West      C. 12m, West      D. 6m, West      E. Data Inadequate

**Directions: Read the given information carefully and answer the questions given beside**

Point L is 60 m to the north of point G. Point M is 12 m to the east of point F, which is exactly in the middle of the road connecting points M and T. Point T is 40 m to the south of point G. Point P is 50 m to the north-east of point T, which is 30 m to the west of point X.

**10. If point O intersects the road connecting points G and T at 5 m such that point T is nearest to point O, then point O is how much far (shortest route) and in which direction from point F?**

- A. 15m, North-east      B. 13m, North-west      C. 10m, South-east      D. 9m, South-west      E. None of these

**Correct Answers:**

<b>1</b>	<b>2</b>	<b>3</b>	<b>4</b>	<b>5</b>	<b>6</b>	<b>7</b>	<b>8</b>	<b>9</b>	<b>10</b>
B	C	B	B	D	C	A	C	B	B

**For more PDFs join  
us on Telegram**

**CLICK HERE**



SBI | RBI | IBPS | RRB | SSC | NIACL | EPFO | UGC NET | LIC | RAILWAY | CLAT | RJS



**Smartkeeda**

The Question Bank

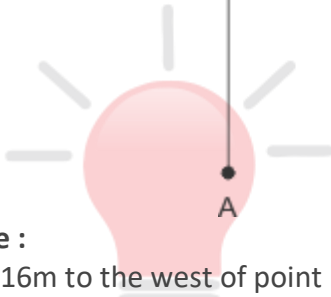
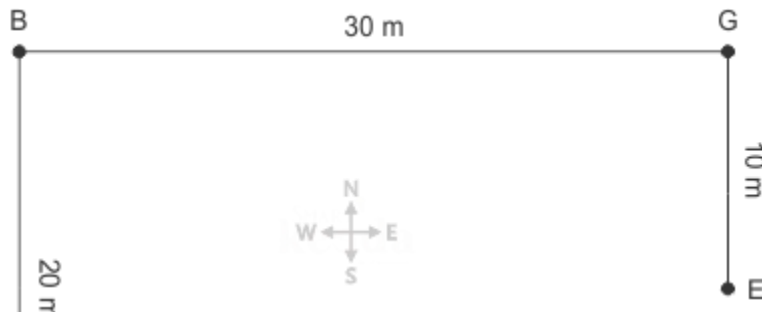
**Common explanation : (Q. 1 to 3)**

**Reference :**

Point G is 30m to the east of point B, which is 20m to the north of point A.  
Point E is 10m to the south of point G.

**Inference :**

From the given hints following image can be prepared.



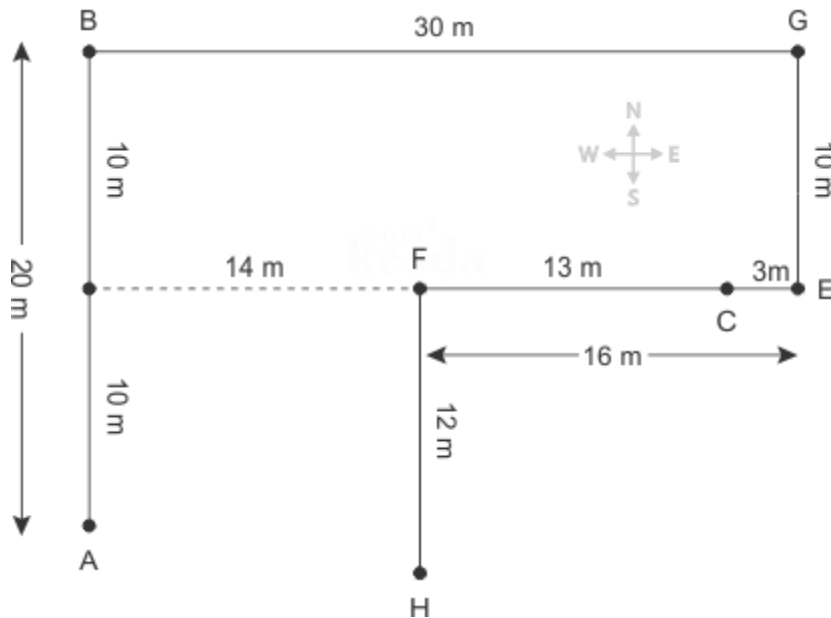
**Smartkeeda**  
The Question Bank

**Reference :**

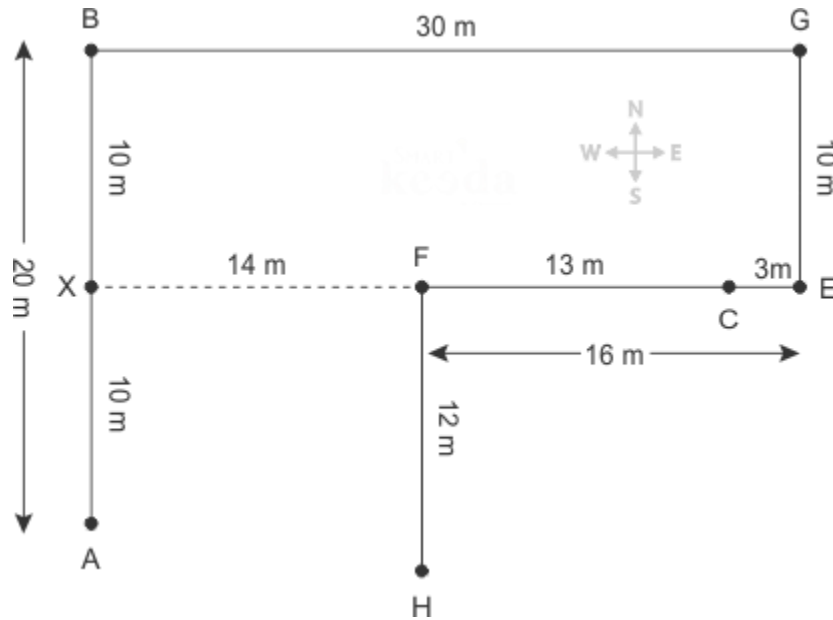
Point F is 16m to the west of point E.  
Point H is 12m to the south of point F.  
Point C is 13m to the east of point F.

**Inference :**

From the given hints following image can be prepared.

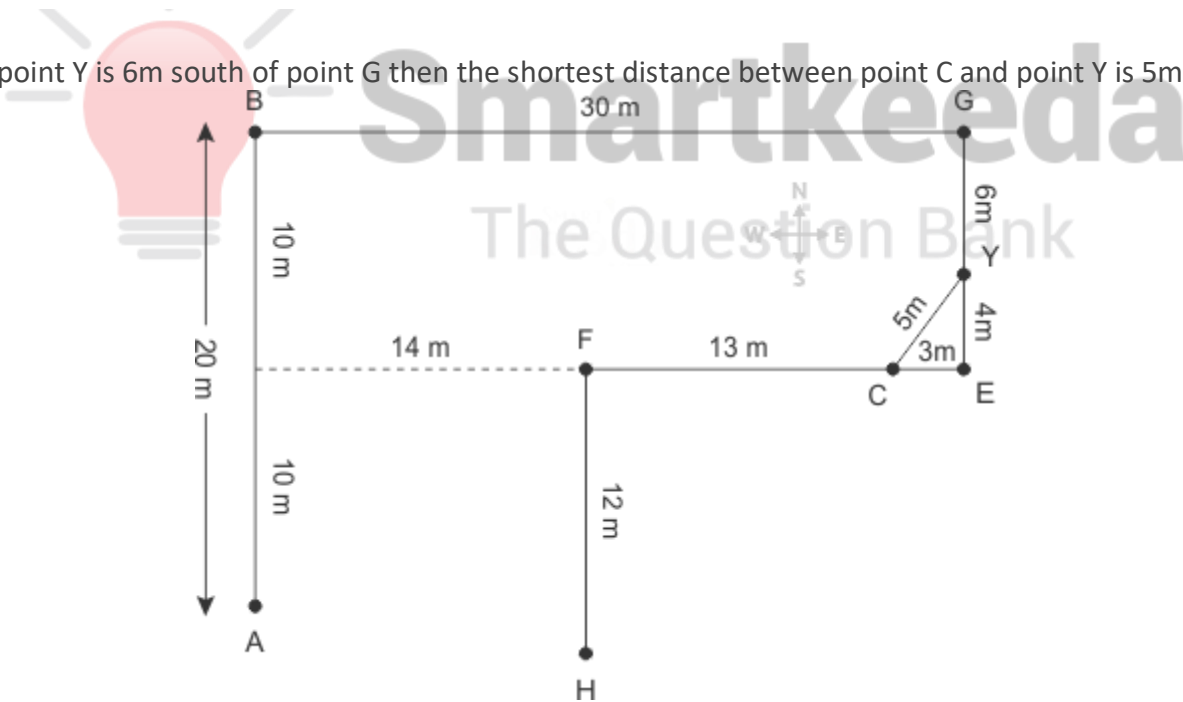


1. If point X is exactly between B and A then F is 14m to the east of point X.



Hence option B is correct.

2. If point Y is 6m south of point G then the shortest distance between point C and point Y is 5m.



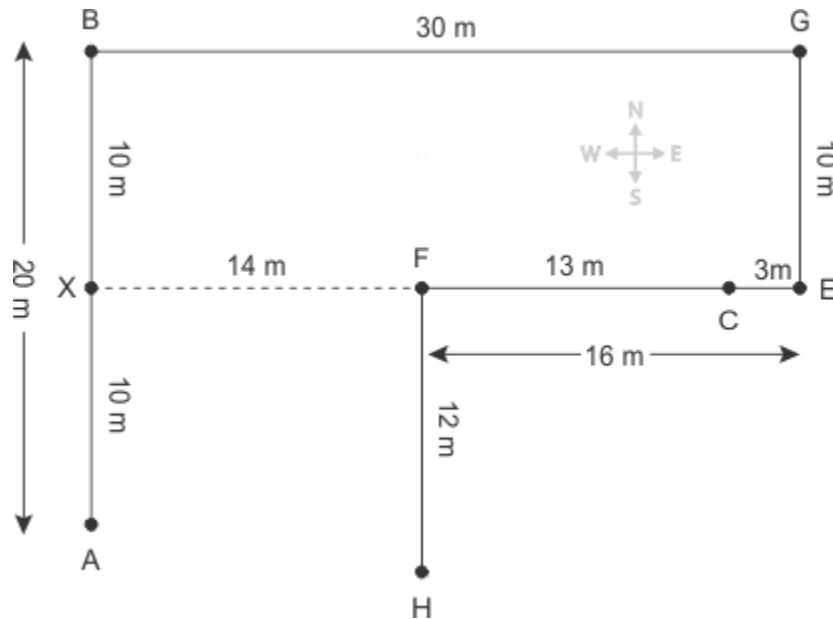
Hence option C is correct.

For more PDFs join us on Telegram

CLICK HERE



3. If point X is exactly in the middle of points B and A then the distance between point C and point X is 27m.



Hence, option B is correct.

**Common explanation :** (Q. 4 of 6)

**Reference :**

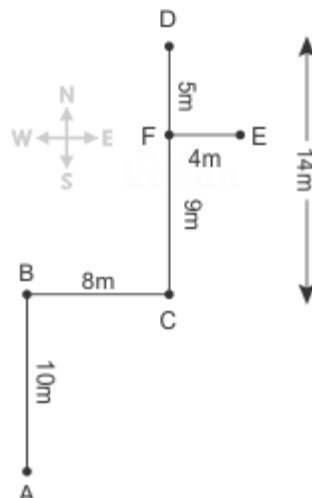
Point A is 10m to the south of Point B, which is 8m to the west of Point C.

Point D is 14m to the north of Point C.

Point E is 4m to the east of Point F, which is 5m to the south of Point D.

**Inference :**

Following image can be prepared with the given hints.

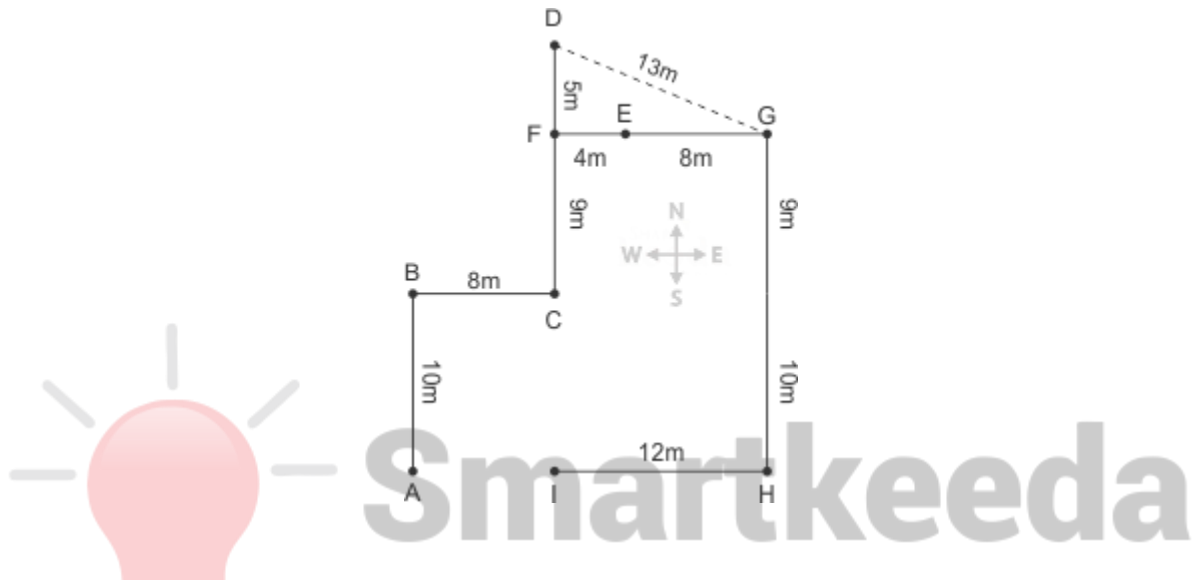


**Reference :**

Point E is 8m to the west of Point G.  
Point H is 19m to the south of Point G.  
Point H is 12m to the east of Point I.

**Inference :**

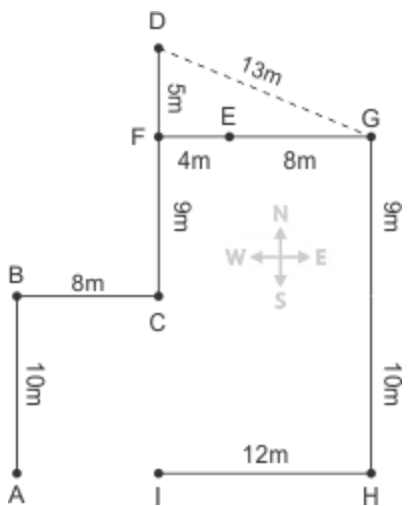
Following image can be prepared with the given hints.



4. The shortest distance between D and G is 13m.

Hence option B is correct.

**Final Image:**

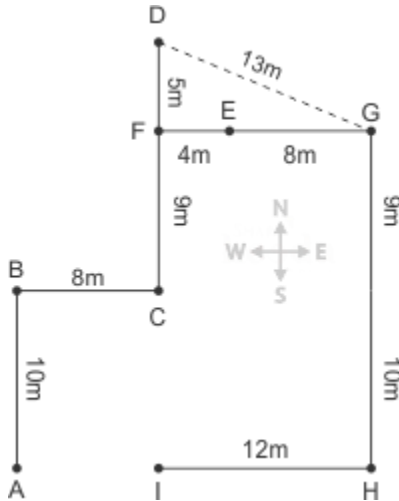




5. H is 20m to the east of A.

Hence option D is correct.

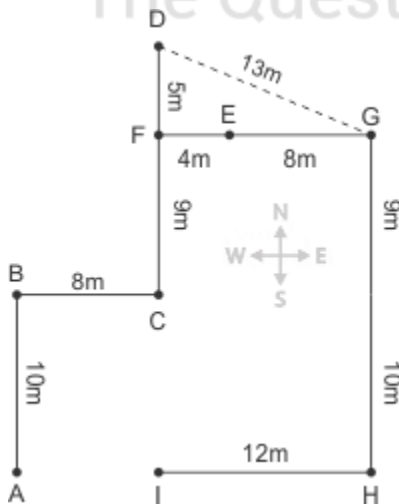
Final Image:



6. B is in south-west of E.

Hence option C is correct.

Final Image:



# Smartkeeda

## The Question Bank

For more PDFs join  
us on Telegram

[CLICK HERE](#)



SBI | RBI | IBPS | RRB | SSC | NIACL | EPFO | UGC NET | LIC | RAILWAY | CLAT | RJS

## Common explanation : (Q. 7 to 9)

### Reference :

Below image shows a square garden where each dot represents one of the persons among Annie, Bony, Charlie, Danny and Emy. Charlie is in the south-east of Danny. Bony is in the east of Annie. Emy and Danny stand in a straight line.

Note- The given numbers are in meters. The four corners of the park are marked as A,B,C,D.

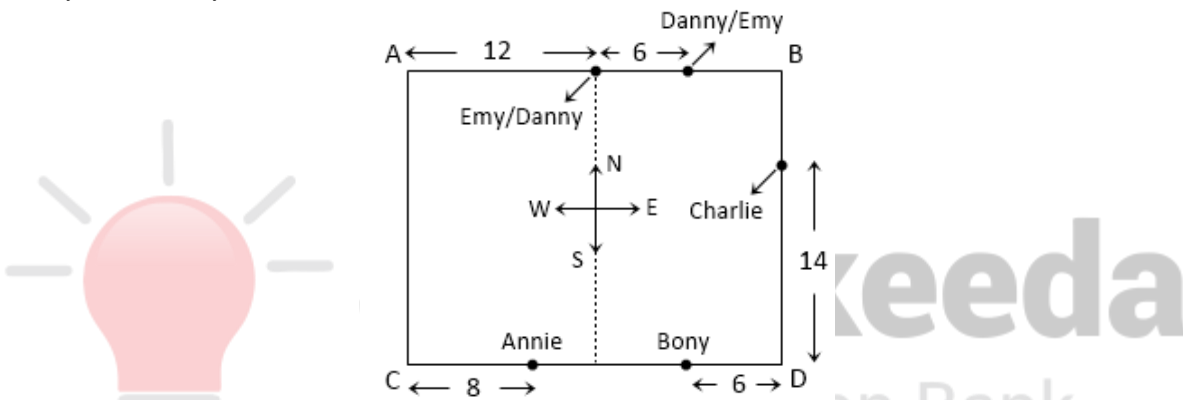
### Inference :

As Charlie is in the south-east of Danny, thus Danny must be between AB.

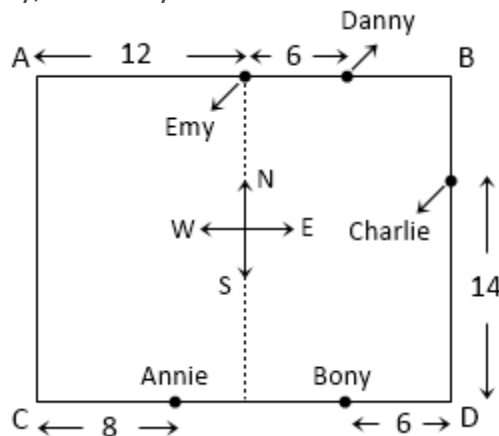
Bony is in the east of Annie, thus Bonnie and Annie must be between CD such that Bony is nearest to D and Annie is nearest to C.

Thus Charlie will be 14m north of D.

Position of Emy and Danny cannot be fixed.



7. If Bony is in the south of Danny, then Emy is towards the north-west of Bony.



Hence, option A is correct.

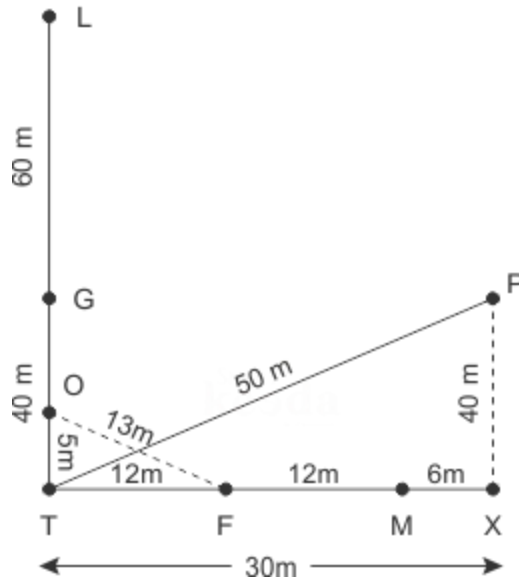
8. The distance between Charlie and B is 10m, because in a square each side is equal and we can measure one of the sides as  $12 + 6 + 6 = 24\text{m}$

Hence option C is correct.

9. Annie is 10m to the west of Bony.

Hence option B is correct.

10. With the given information following image can be prepared.



Thus clearly using the Pythagoras theorem we can say that the point O is 13m from point F.  
Hence option B is correct.



The Question Bank

For more PDFs join  
us on Telegram

CLICK HERE



SBI | RBI | IBPS | RRB | SSC | NIACL | EPFO | UGC NET | LIC | RAILWAY | CLAT | RJS



**Smartkeeda**

The Question Bank

Presents

# Testzone

India's Leading Test Series Platform

All Banks Exams  
2024-25

12 Months Plan

@Just

Rs. **764**

To get 10% Off use code **FEST24**

- ✓ Brilliant Test Analysis
- ✓ Excellent Content
- ✓ Unmatched Explanation

**Buy Now**

