



Friends!

We Used **Smartkeeda** and cracked Bank Exams

बैंक परीक्षाओं के लिए निश्चित रूप से

सर्वश्रेष्ठ मॉक टेस्ट सीरीज



Soumyadip Biswas
IBPS PO 2023



Dhairya Gaur
RRB PO 2023



Tiyasa Roy
IBPS Clerk & PO 2023



MD. Shaban
IBSP PO & Clerk 2023



Bhavana Padaliya
IBPS Clerk & PO 2023



Kajol Wadhvani
IBPS PO & Clerk 2023



Eshu Singh
SBI PO 2023



Sachin Rai
IBPS PO & Clerk 2023



Sudheer Jangid
RRB Clerk 2023



Vrinda Agarwal
SBI PO 2023



Shreya Mahendra Moon
IBPS PO 2023



Ansh Gulati
IBPS PO & Clerk 2023
SBI PO & RRB Clerk 2023

It's Your Turn Now
Take A Free Mock Test

USE CODE

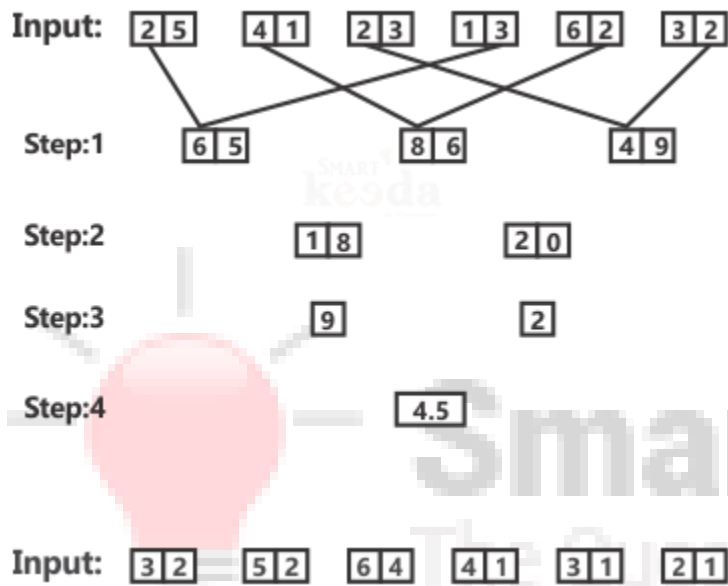
FEST24 for 10% OFF

Sequential Output Tracing Quiz Questions for IBPS PO PRE, SBI PO PRE, SBI CLERK MAINS, IBPS CLERK MAINS & IBPS RRB Exams.

Set No 12

Direction: Read the given information carefully and answer the questions given beside:

The first step has been obtained by multiplying the digits in input. No other step uses multiplication concept. They are obtained by applying certain logic. Numbers of step II have been obtained by using at least 1 digit of each number in step 1. Each step is a resultant of previous step.



1. What is the difference between the numbers of Step II?

- A. 6 B. 10 C. 12 D. 8 E. None of these

2. Which of the following will be the double of Last step?

- A. 5 B. 2.5 C. 7.5 D. 9 E. None of these

3. What is the sum of largest and the smallest number of step I?

- A. 106 B. 112 C. 96 D. 72 E. None of these

4. If the difference of the number of step III is multiplied by step IV, what will be the resultant number?

- A. 2.5 B. 3 C. 9 D. 1.25 E. None of these

5. Which of the following is one of the numbers of any step?

- A. 58 B. 22 C. 30 D. 12 E. None of these

Correct Answers:

1	2	3	4	5
D	B	A	D	B

Common Explanations:

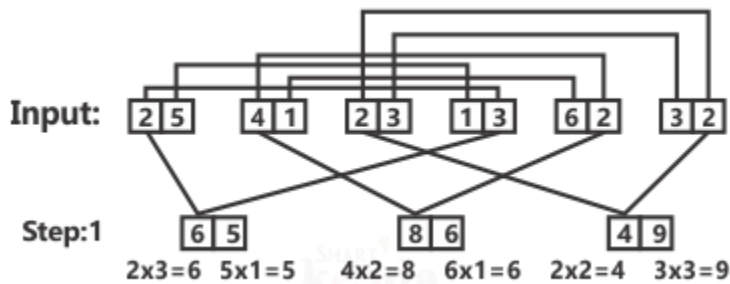
Reference:

First of all we will try to know how we can get

$$6=2 \times 3, 5=5 \times 1$$

$$8=4 \times 2, 6=6 \times 1$$

$$2 \times 2=4, 3 \times 3=9$$



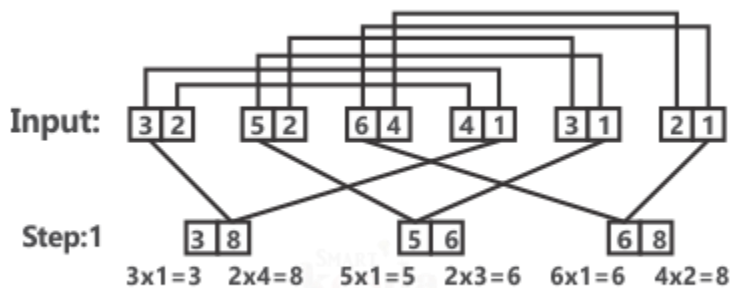
Inference:

As we know what is the pattern in our input so now we will use it:

$$3=3 \times 1, 8=2 \times 4$$

$$5=5 \times 1, 6=2 \times 3$$

$$6=6 \times 1, 8=4 \times 2$$

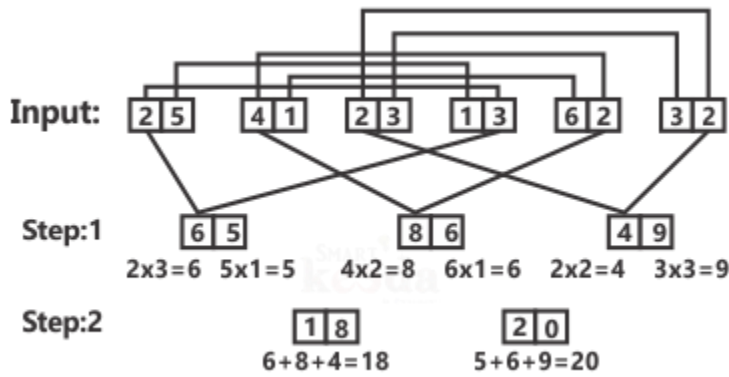


Reference:

Now we will see our step II and we can understand that in this step we have to add step I's these numbers for getting step II:

$$6+8+4=18$$

$$5+6+9=20$$

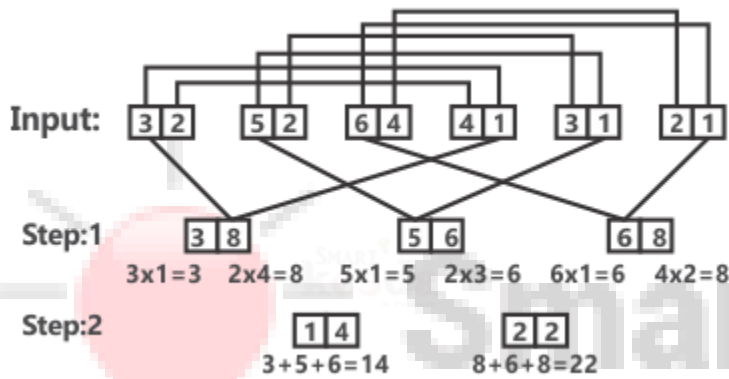


Inference:

As we know the pattern of this step so we will follow this pattern in our solution's input:

$$3 + 5 + 6 = 14$$

$$8 + 6 + 8 = 22$$

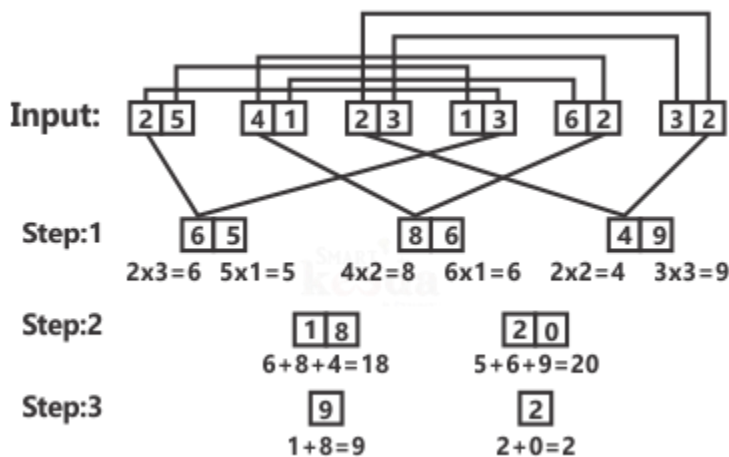


Reference:

Now we can easily understand that in next step we have to add Step- 2's number:

$$1 + 8 = 9$$

$$2 + 0 = 2$$

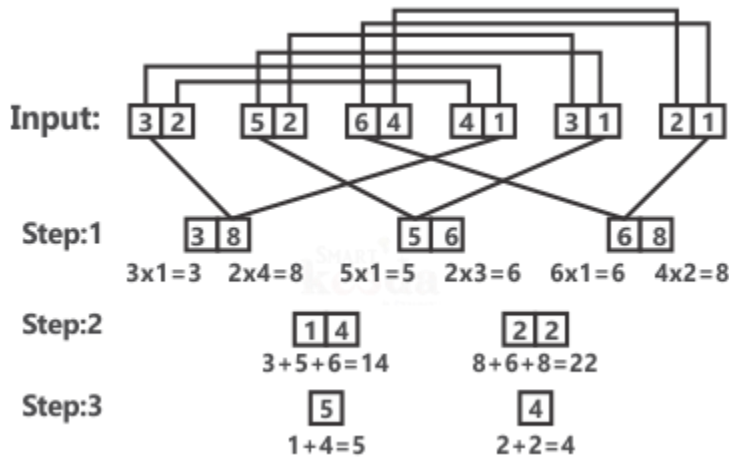


Inference:

Because we know the pattern for this step so we will follow the same pattrer:

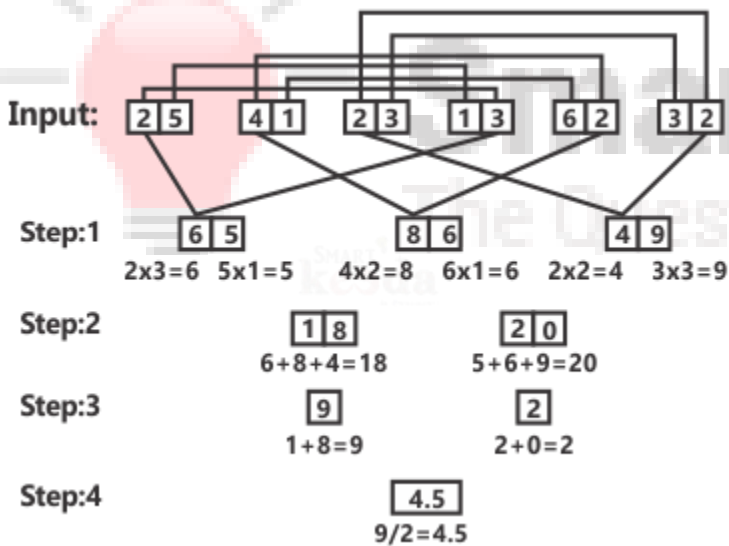
$$1 + 4 = 5$$

$$2 + 2 = 4$$



Reference:

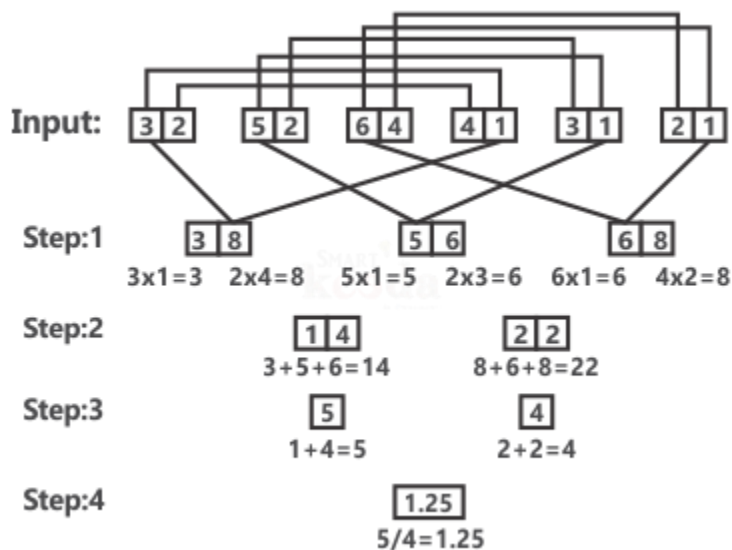
Now we can easily understand that we can get 4.5 by $9/2=4.5$ so:



Inferences:

We will use the same pattern so it should our final answer:

$$5/4=1.25$$



Answers :

1. Following the common explanation, we get that:
Difference between the numbers of Step II is 8.
Option D, is hence the correct answer.
2. Following the common explanation, we get that
2.5 is the double of Last step.
Option B, is hence the correct answer.
3. Following the common explanation, we get that
106 is the sum of largest and the smallest number of step I.
Option A, is hence the correct answer.
4. Following the common explanation, we get that
1.25 is the resultant number.
Option D, is hence the correct answer.
5. From the common explanation we get
22 is one of the numbers of any step.
Option B, is hence the correct answer..



Smartkeeda

The Question Bank

Presents

Testzone

India's Leading Test Series Platform

All Banks Exams

2024-25

12 Months Plan

@Just

Rs. **764**

To get 10% Off use code **FEST24**

- ✓ Brilliant Test Analysis
- ✓ Excellent Content
- ✓ Unmatched Explanation

Buy Now

